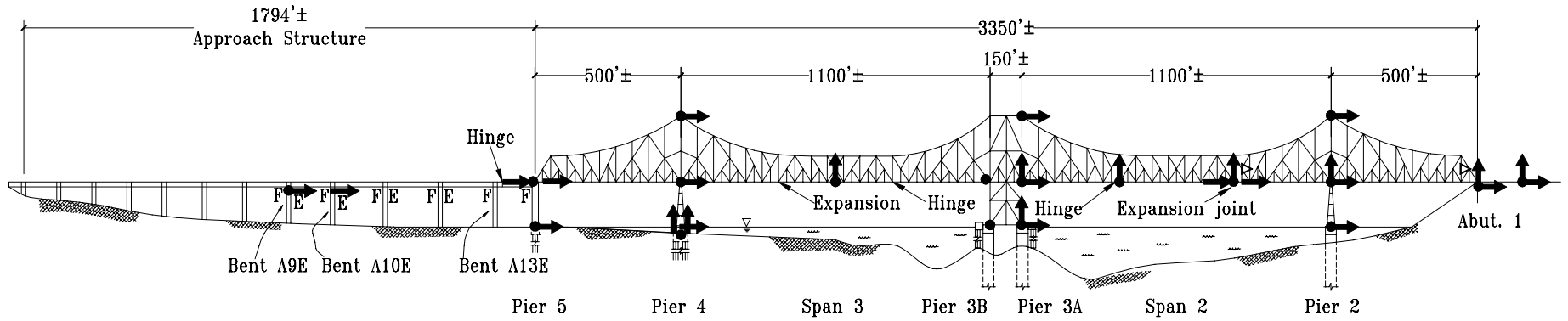
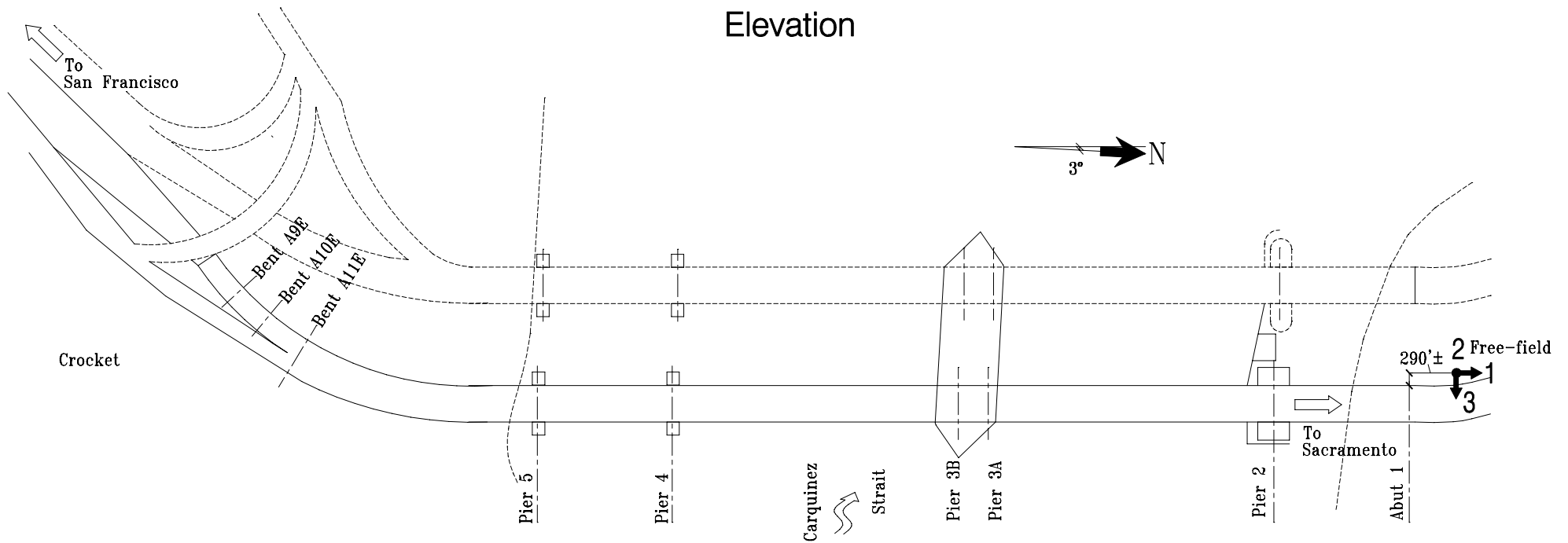


SENSOR LOCATIONS



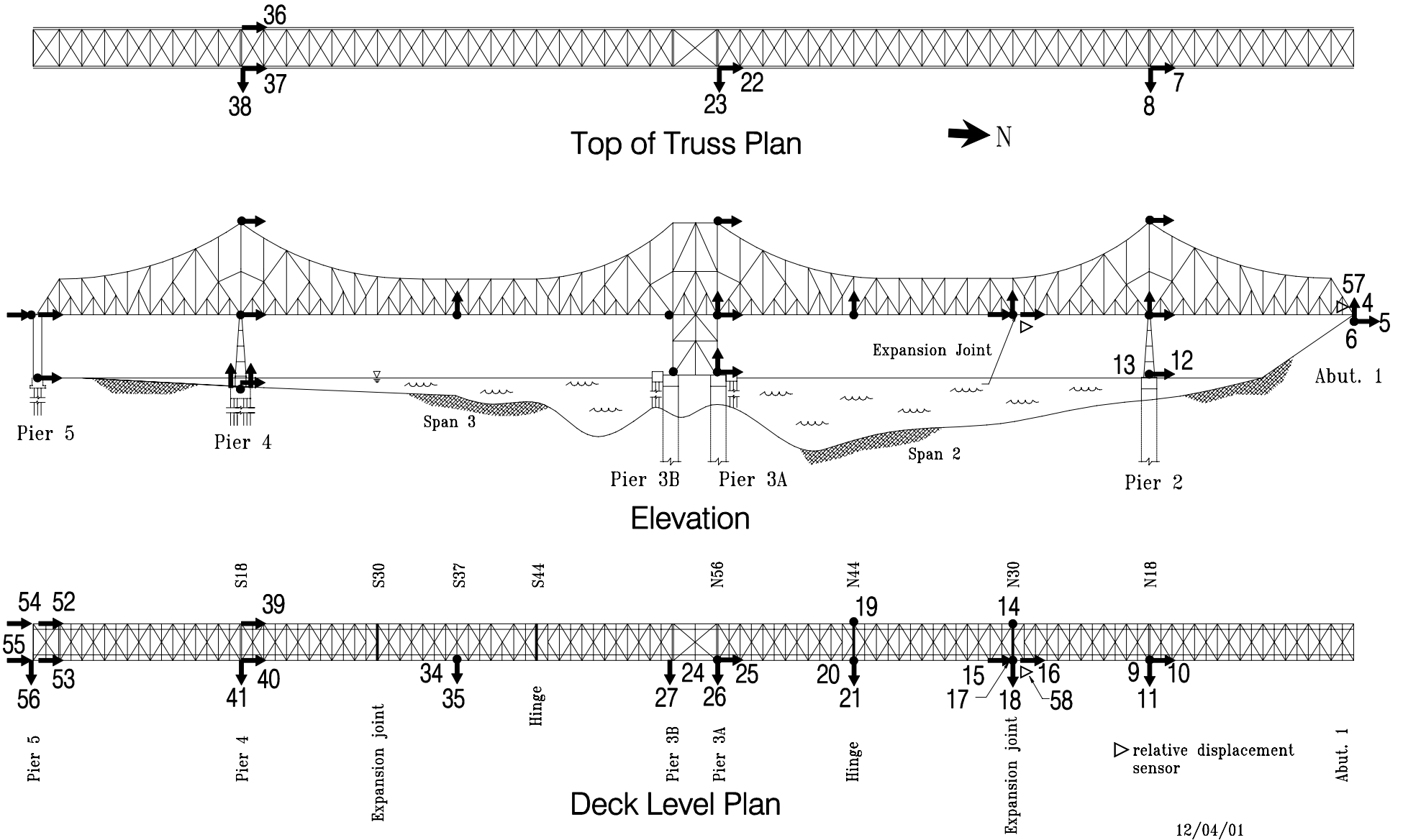
Elevation



Plan

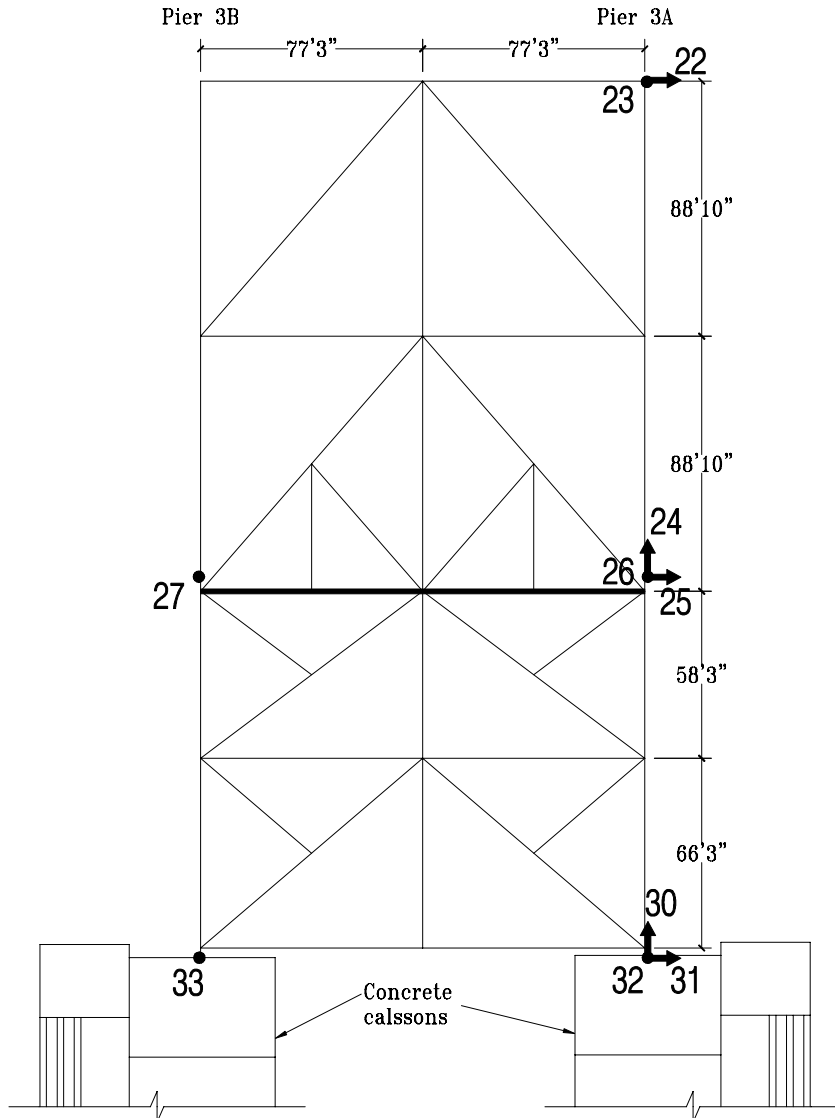
12/04/01

SENSOR LOCATIONS

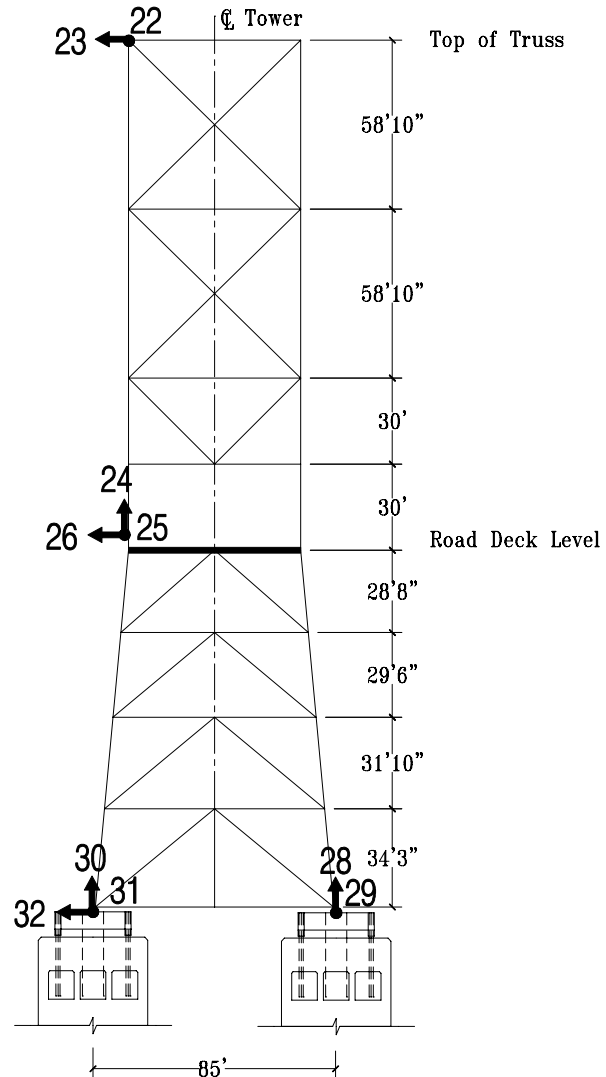


Vallejo - Carquinez/I80 East Bridge
 Caltrans Bridge No. 23-15R (04-SOL-80-12.8)
 CSMIP Station No. 68184

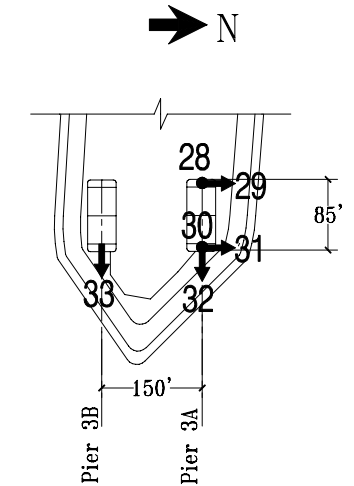
SENSOR LOCATIONS
 Piers 3A & 3B



Longitudinal (S/N) Elevation

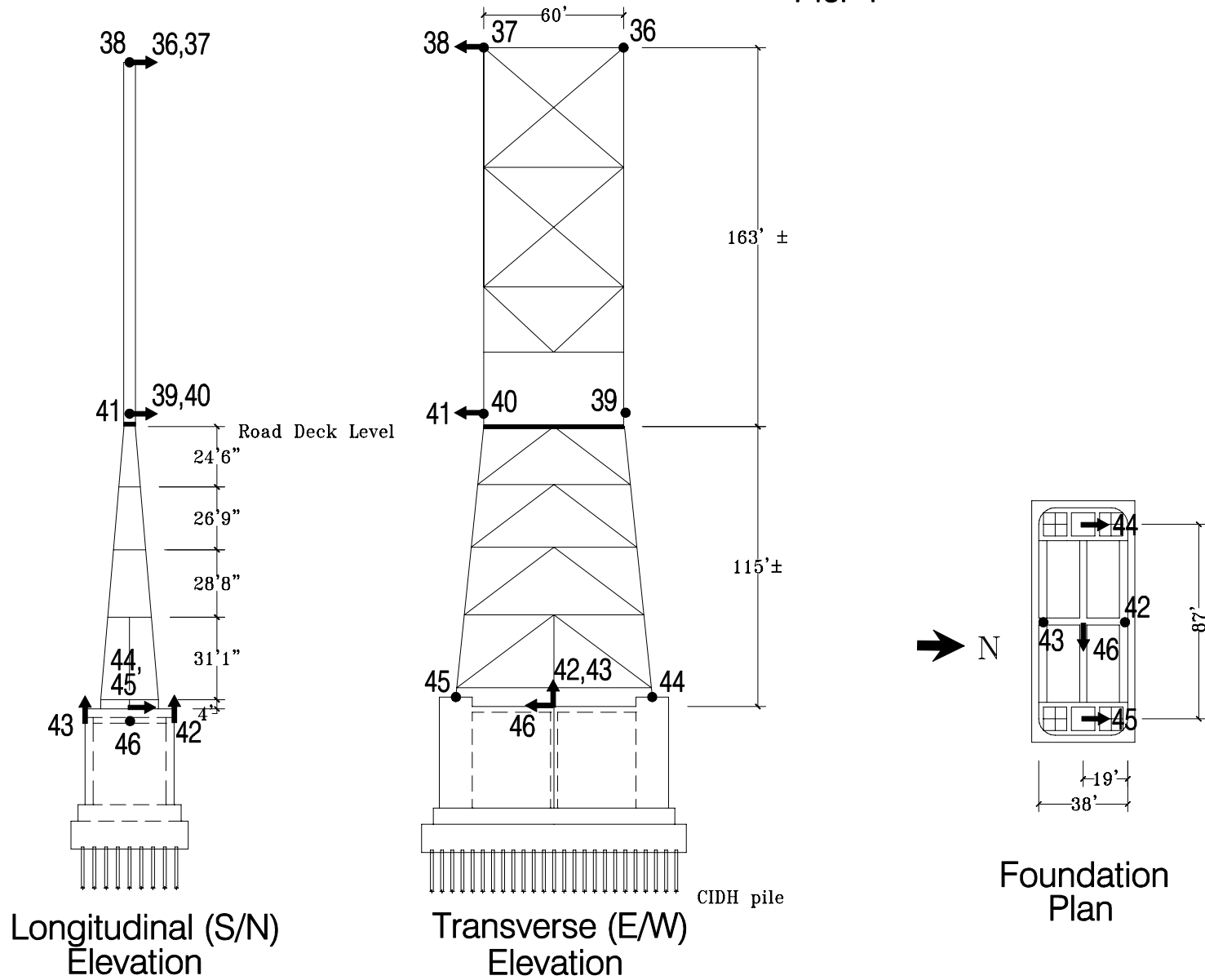


Pier 3A
 Transverse (E/W) Elevation

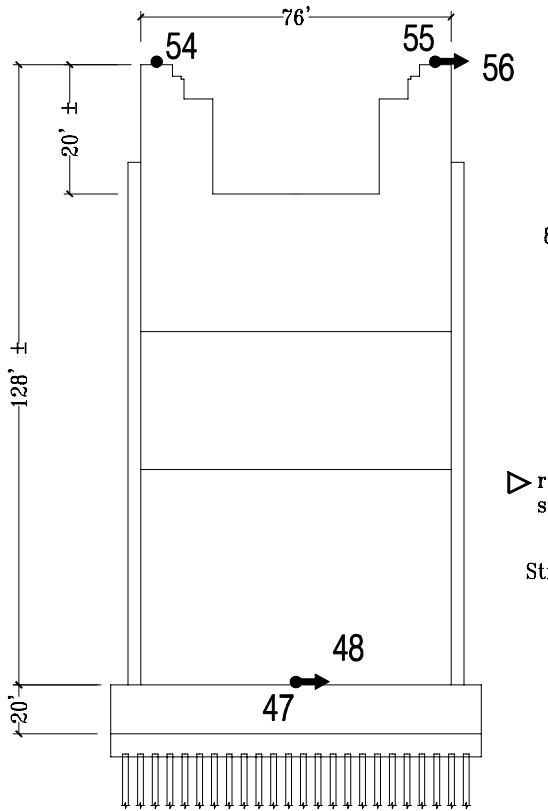


Foundation Plan

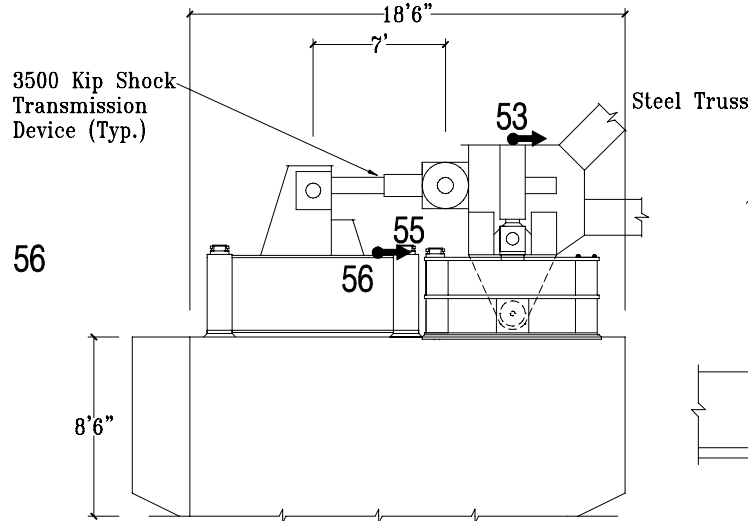
SENSOR LOCATIONS
 Pier 4



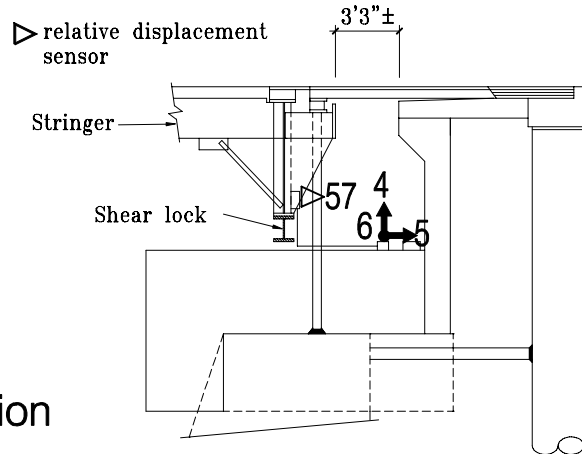
SENSOR LOCATIONS



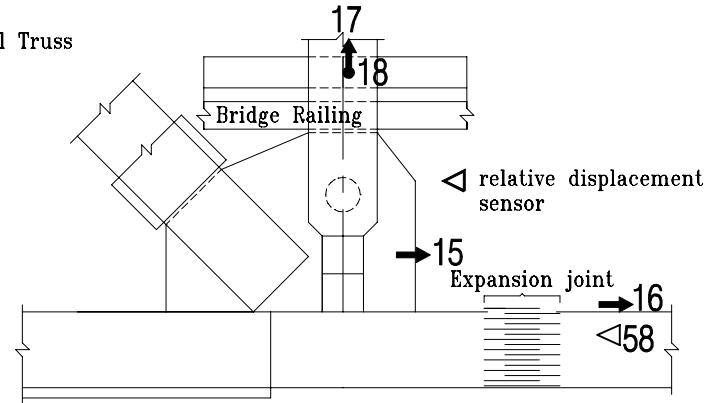
Transverse (W/E) Elevation at Pier 5



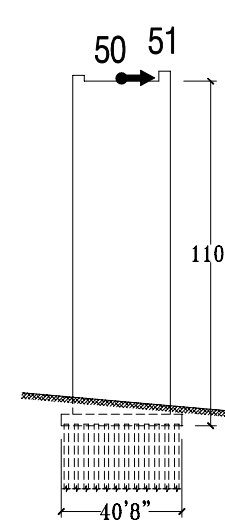
S/N Section of Top of Pier 5, East Side



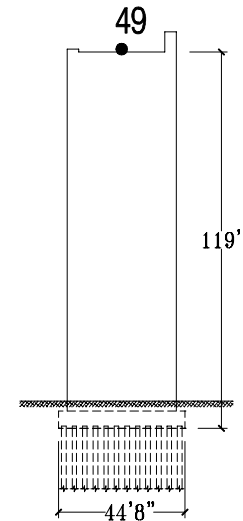
S/N Section at Abutment 1



Expansion Joint Elevation (S/N)



Bent A9E (W/E) Elevation



Bent A10E (W/E) Elevation