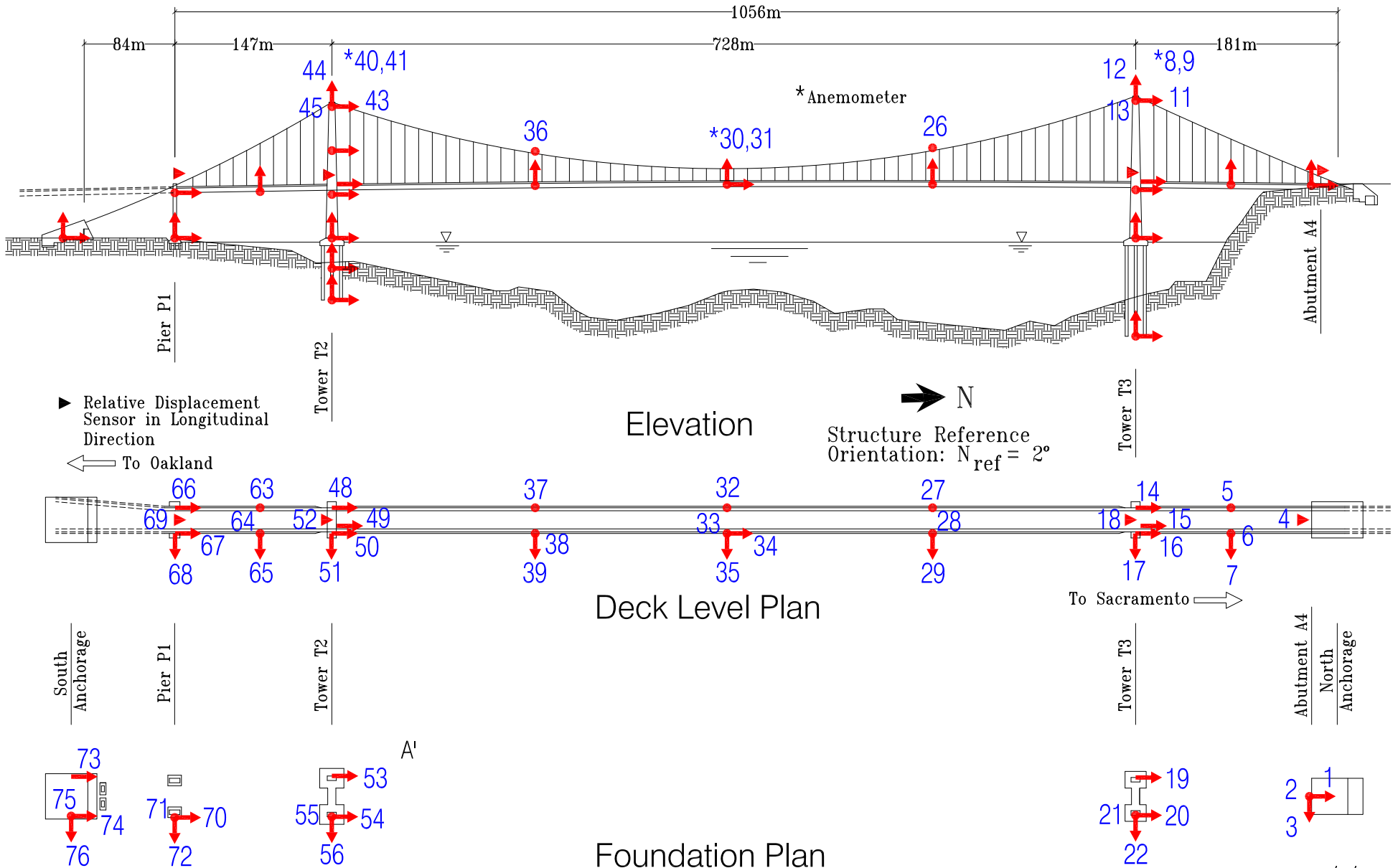
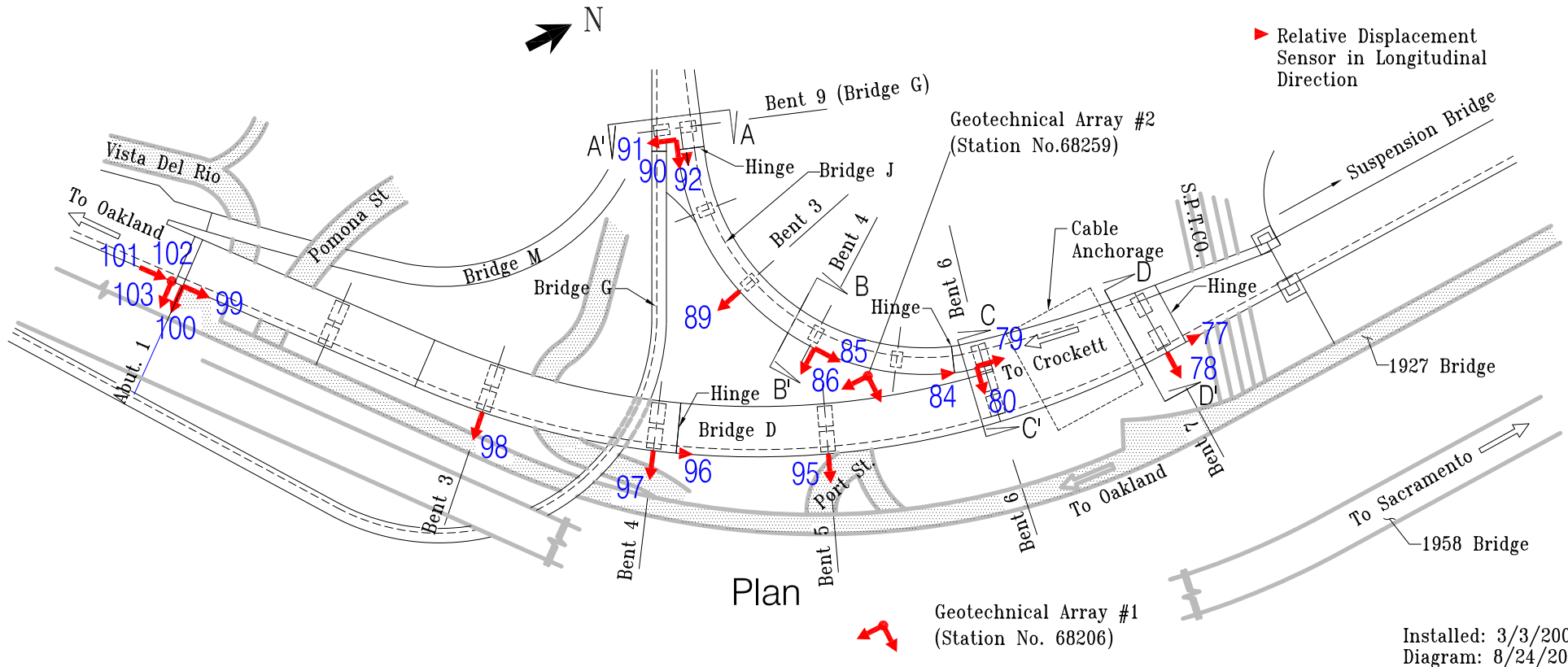
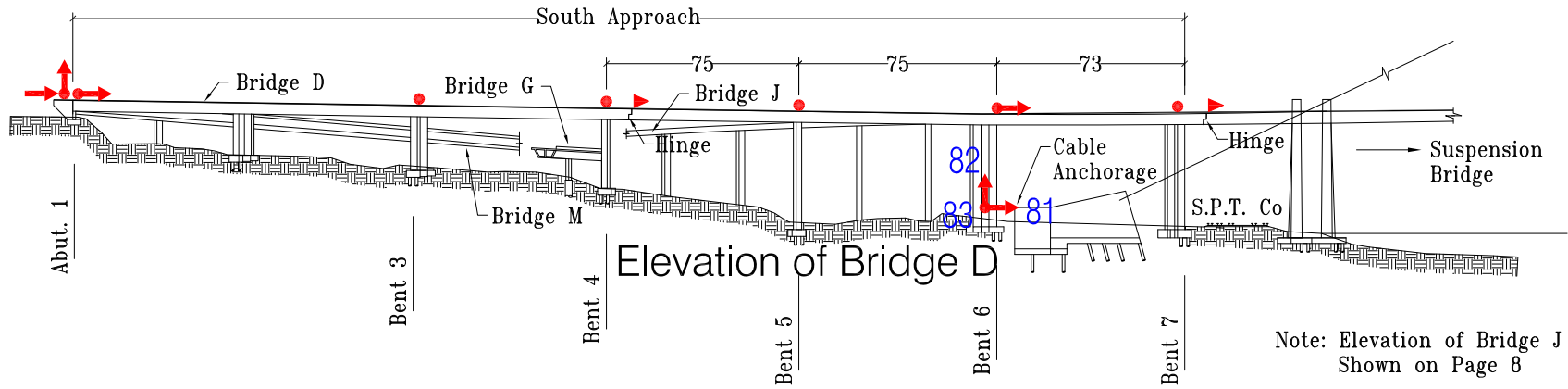


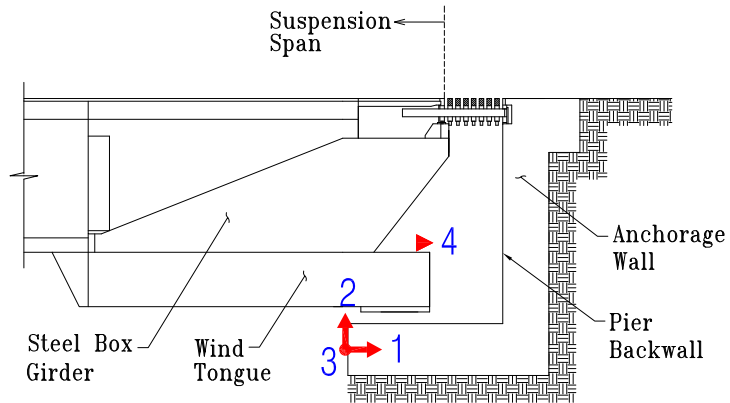
SENSOR LOCATIONS (Suspension Bridge)



SENSOR LOCATIONS (Crockett Viaduct)

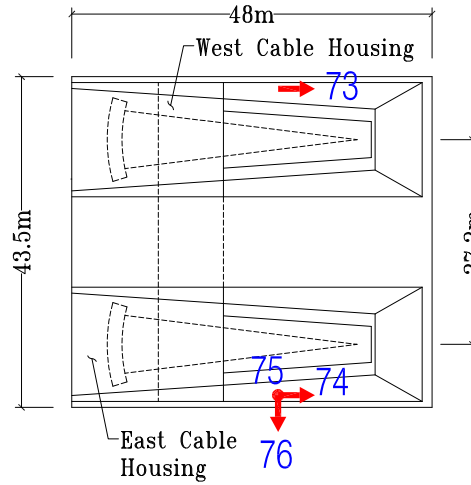


SENSOR LOCATIONS



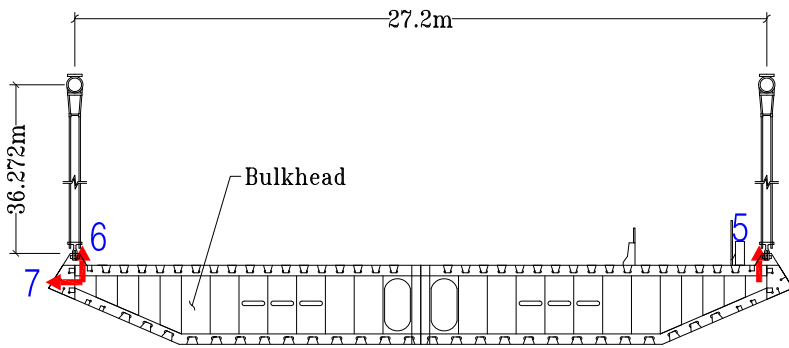
▲ Relative Displacement Sensor in Longitudinal Direction

S/N Section at Abutment A4

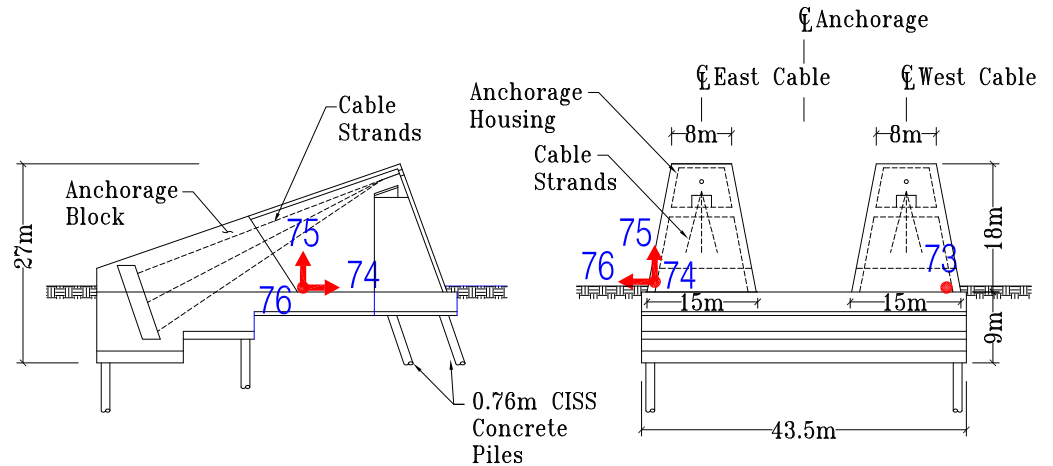


South Anchorage Plan

➔ N
 Structure Reference Orientation: $N_{ref} = 2^\circ$



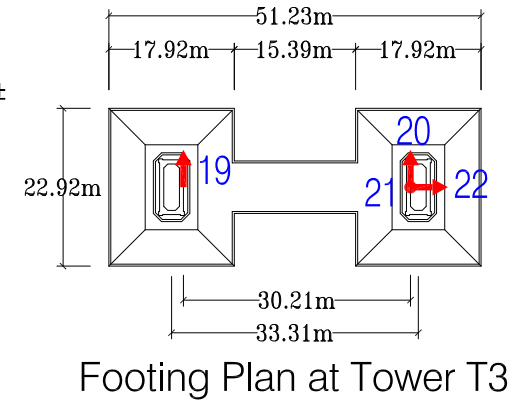
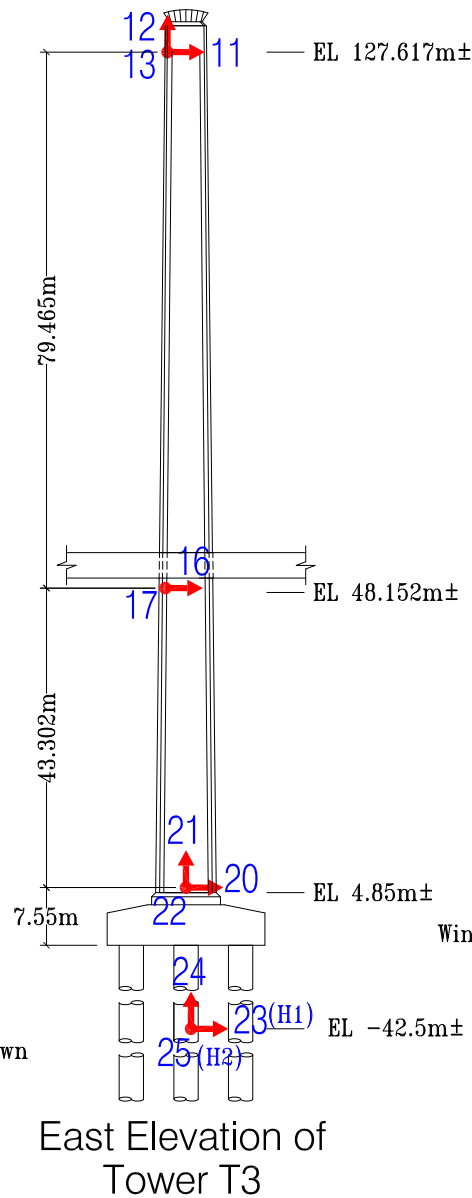
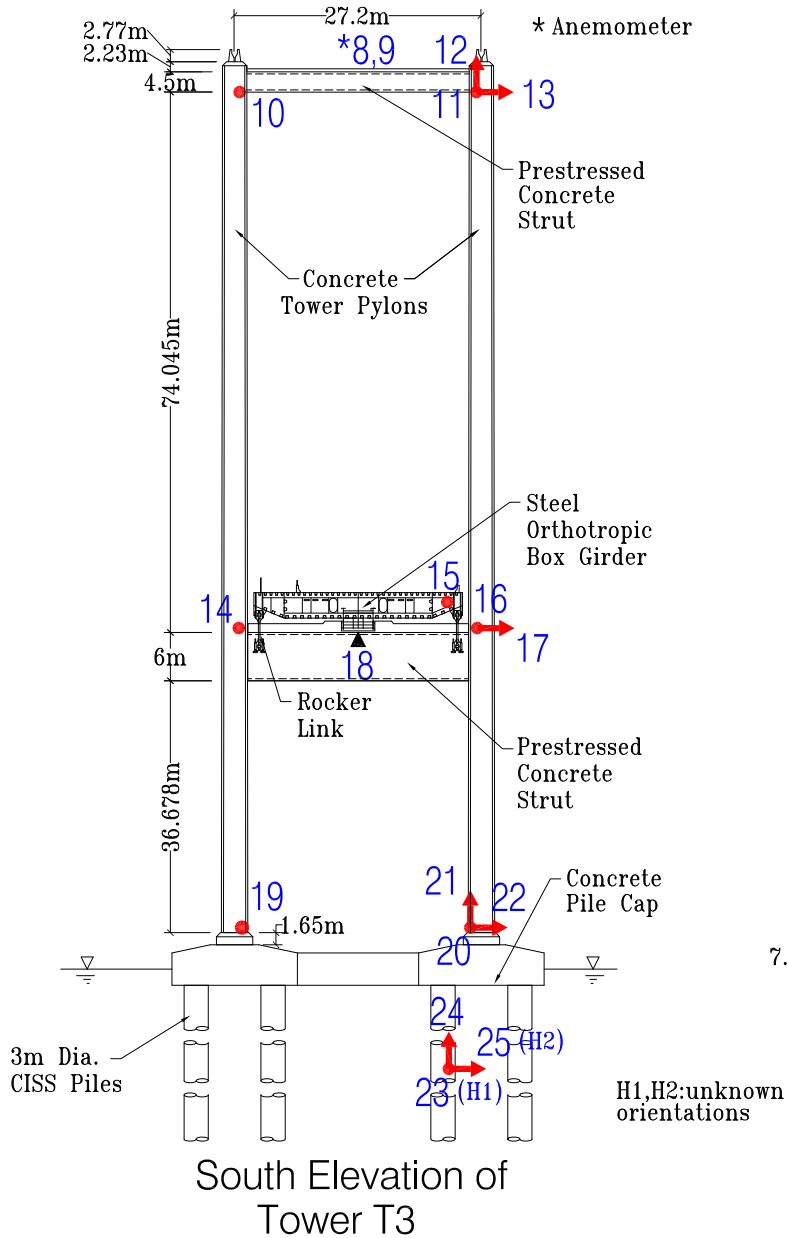
E/W Section of Midspan between Tower T3 and Abutment A4 (Line 75N)



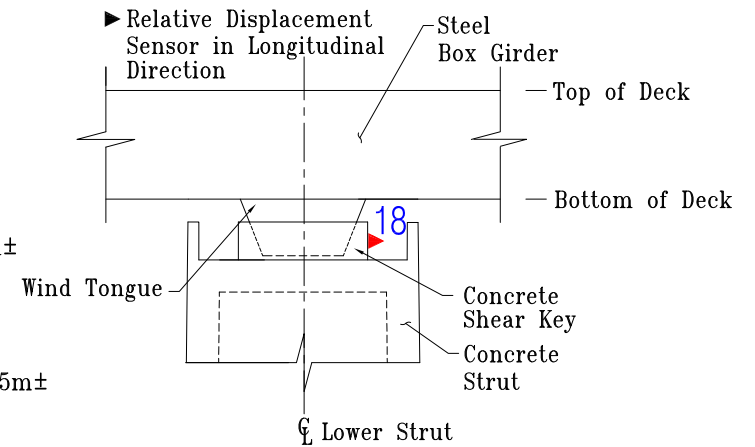
East Elevation of South Anchorage

North Elevation of South Anchorage

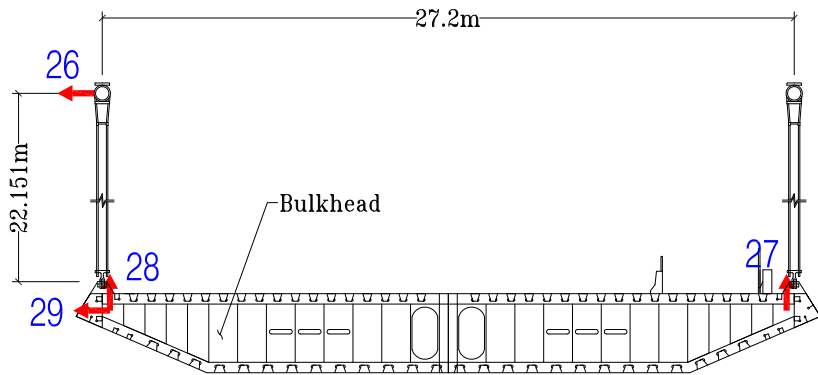
SENSOR LOCATIONS Tower T3



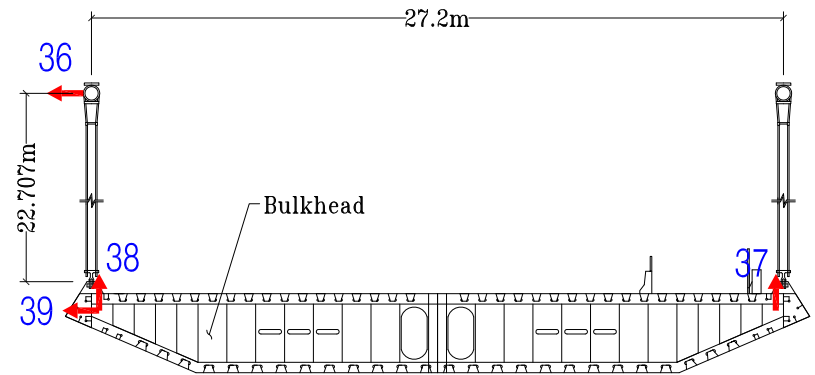
N
 Structure Reference Orientation: $N_{ref} = 2^\circ$



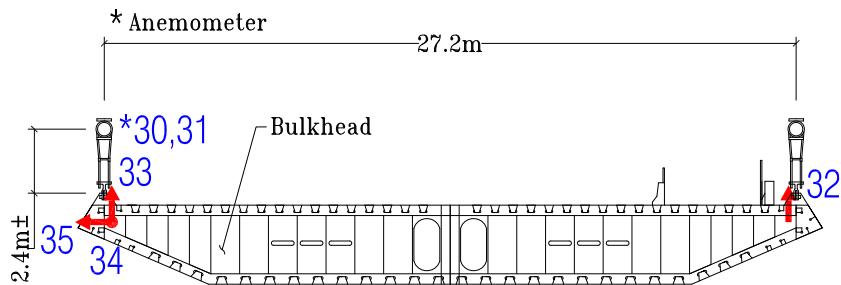
SENSOR LOCATIONS



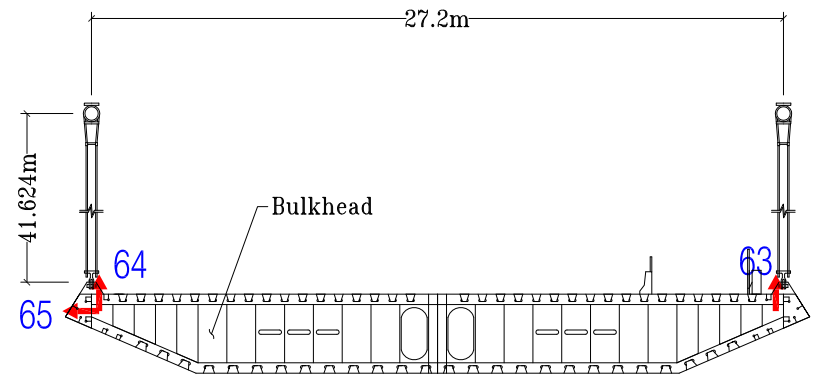
E/W Section of 1/4 Span between
 Tower T2 and Tower T3 (Line 30N)



E/W Section of 1/4 Span between
 Tower T2 and Tower T3 (Line 30S)

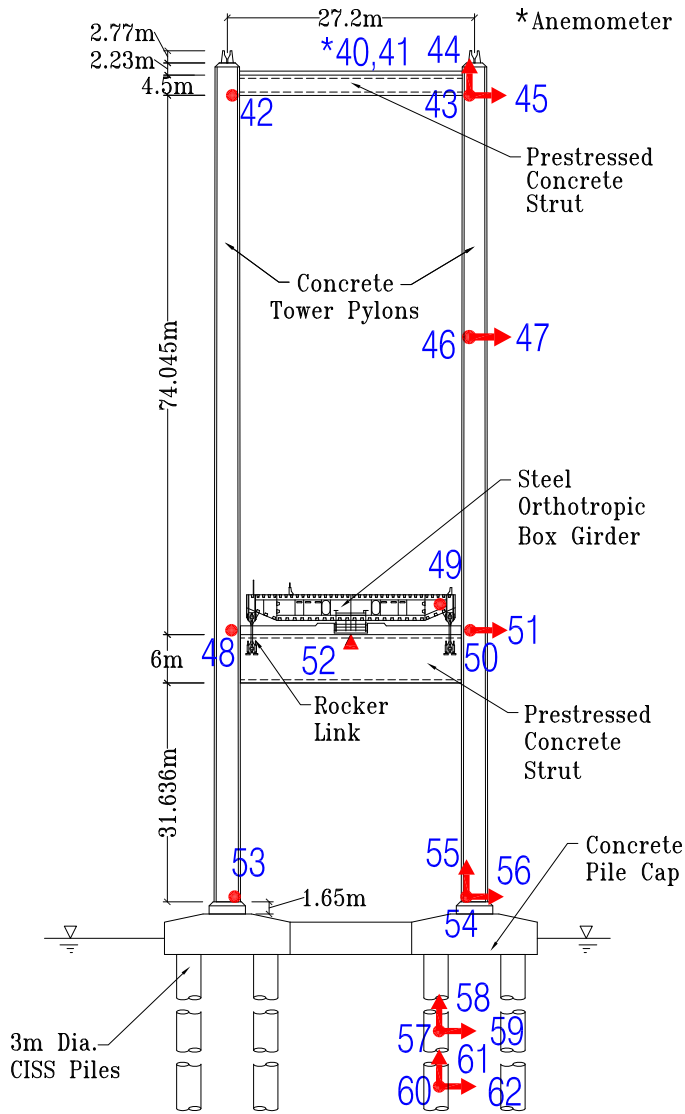


E/W Section of Midspan between
 Tower T2 and Tower T3 (Line 0)

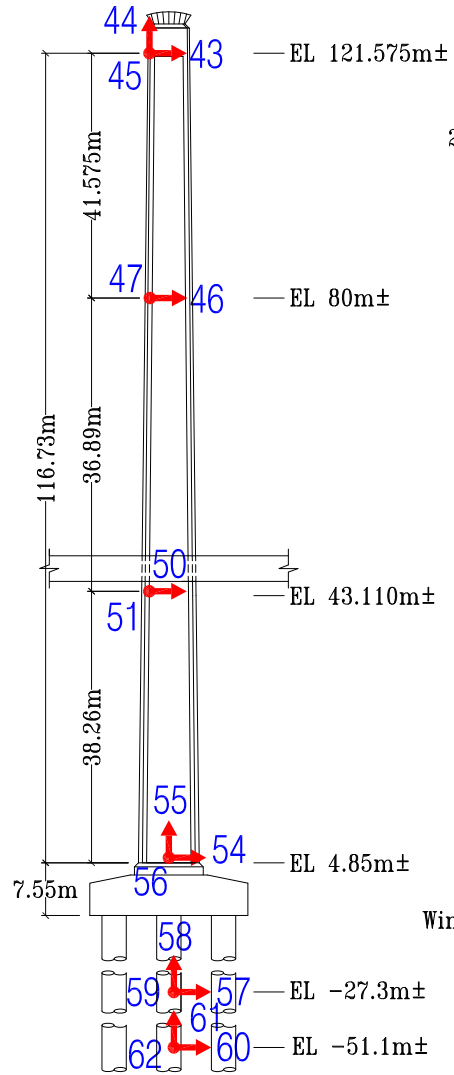


E/W Section of Midspan between
 Pier P1 and Tower T2 (Line 71S)

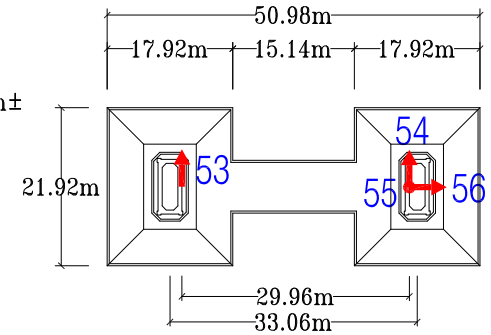
SENSOR LOCATIONS Tower T2



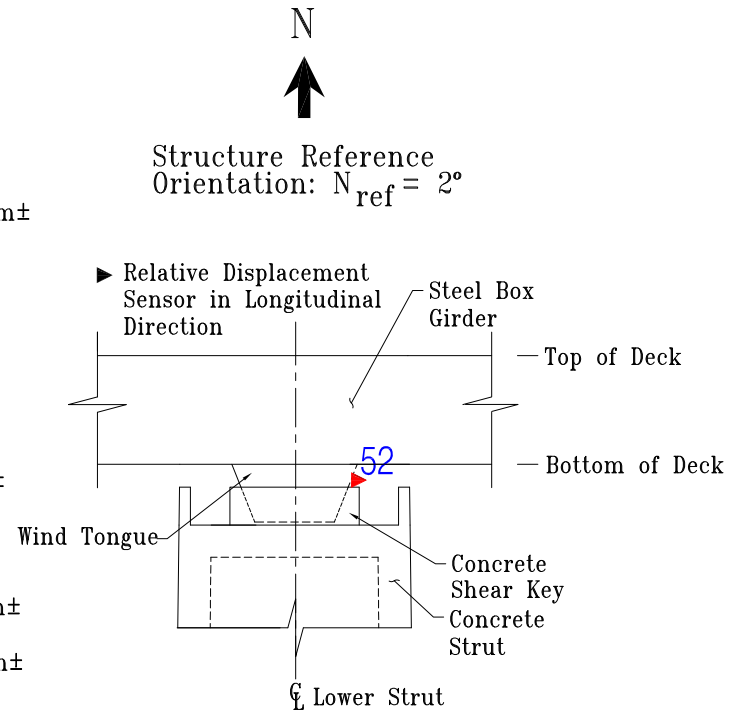
South Elevation of
Tower T2



East Elevation of
Tower T2

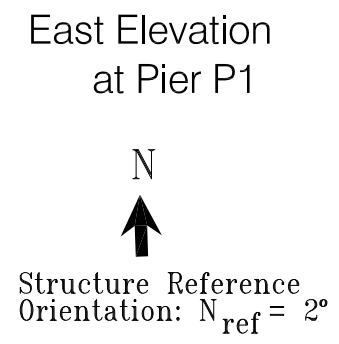
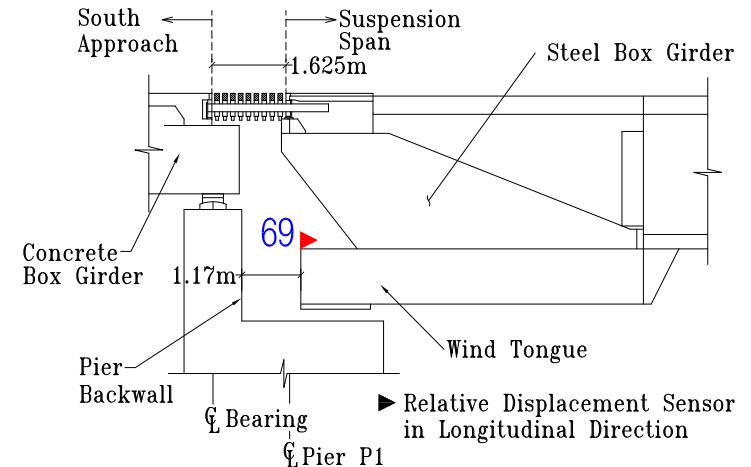
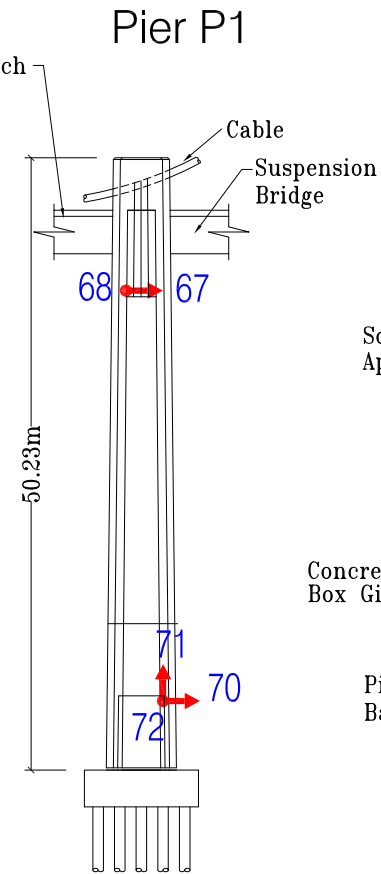
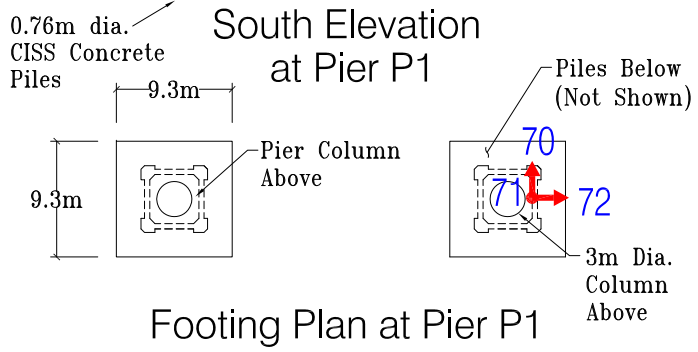
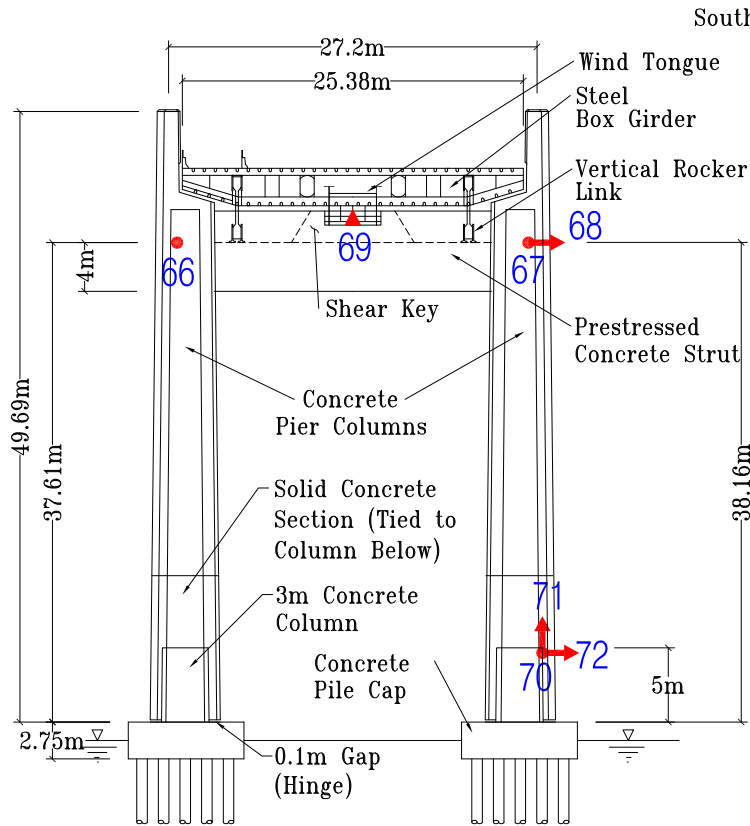


Footing Plan at Tower T2

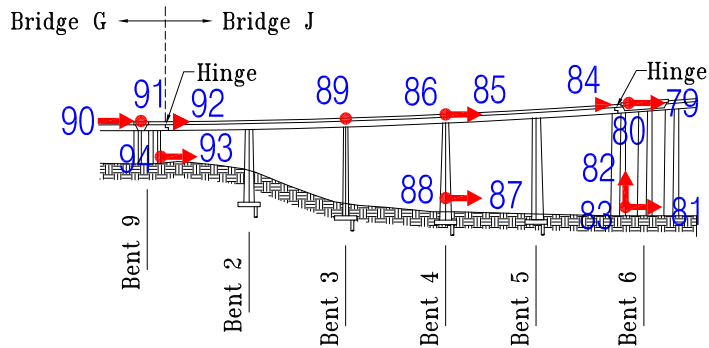


S/N Section of Tower T2

SENSOR LOCATIONS

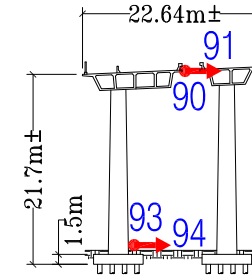


SENSOR LOCATIONS

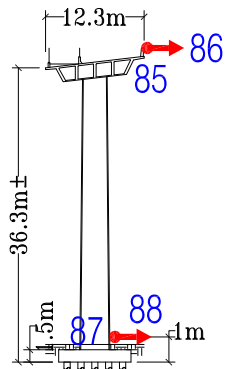


Elevation of Bridge J and G

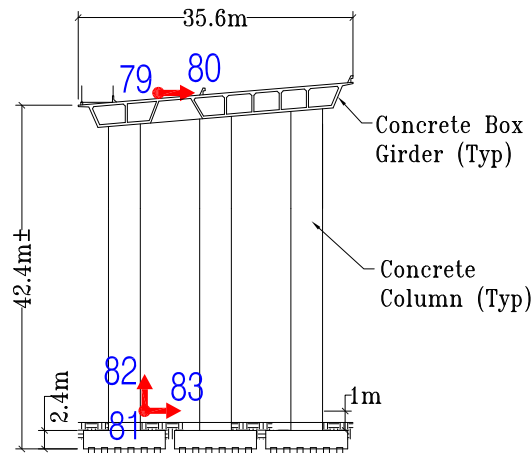
➔ N
 Structure Reference
 Orientation: $N_{ref} = 2^\circ$



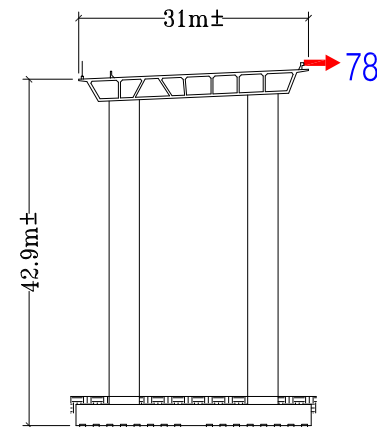
Section A-A' at
 Bent 9 of Bridge G



Section B-B' at
 Bent 4 of Bridge J



Section C-C' at
 Bent 6 of Bridge D



Section D-D' at
 Bent 7 of Bridge D