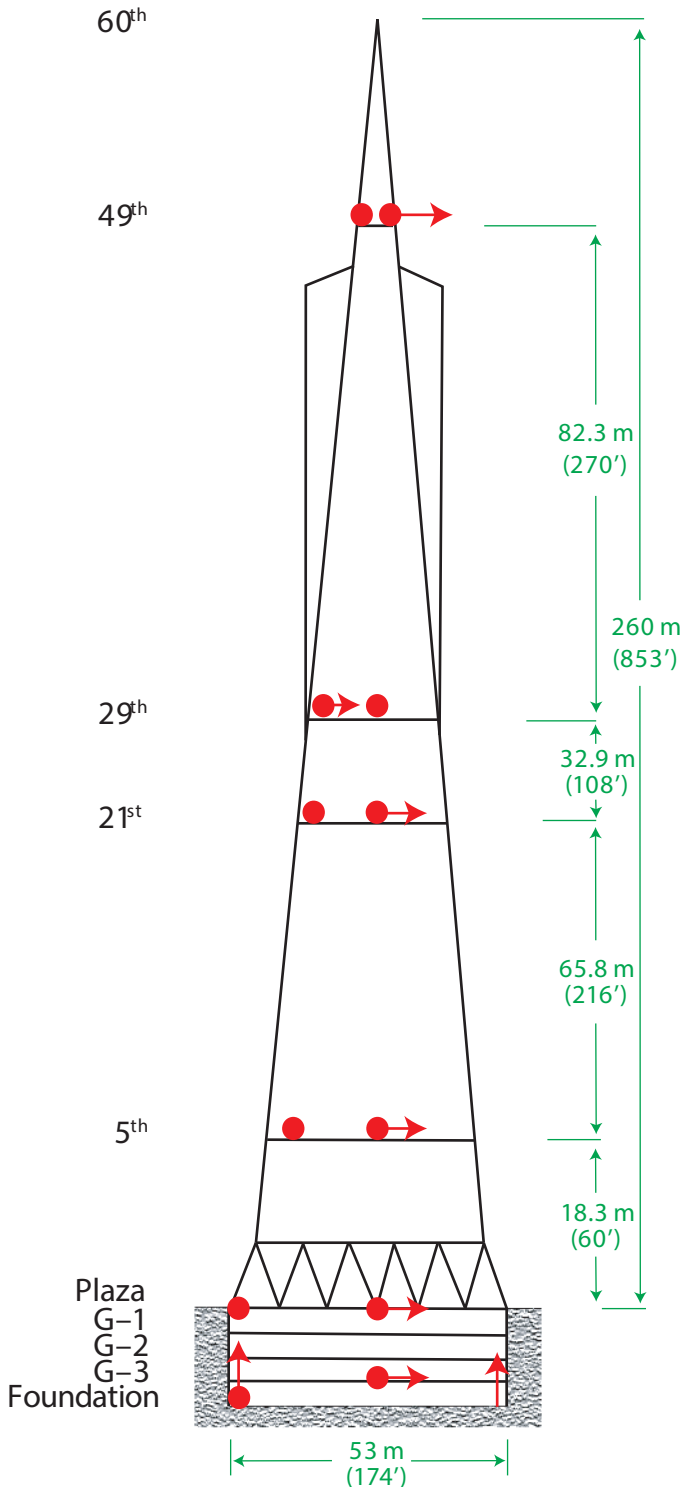


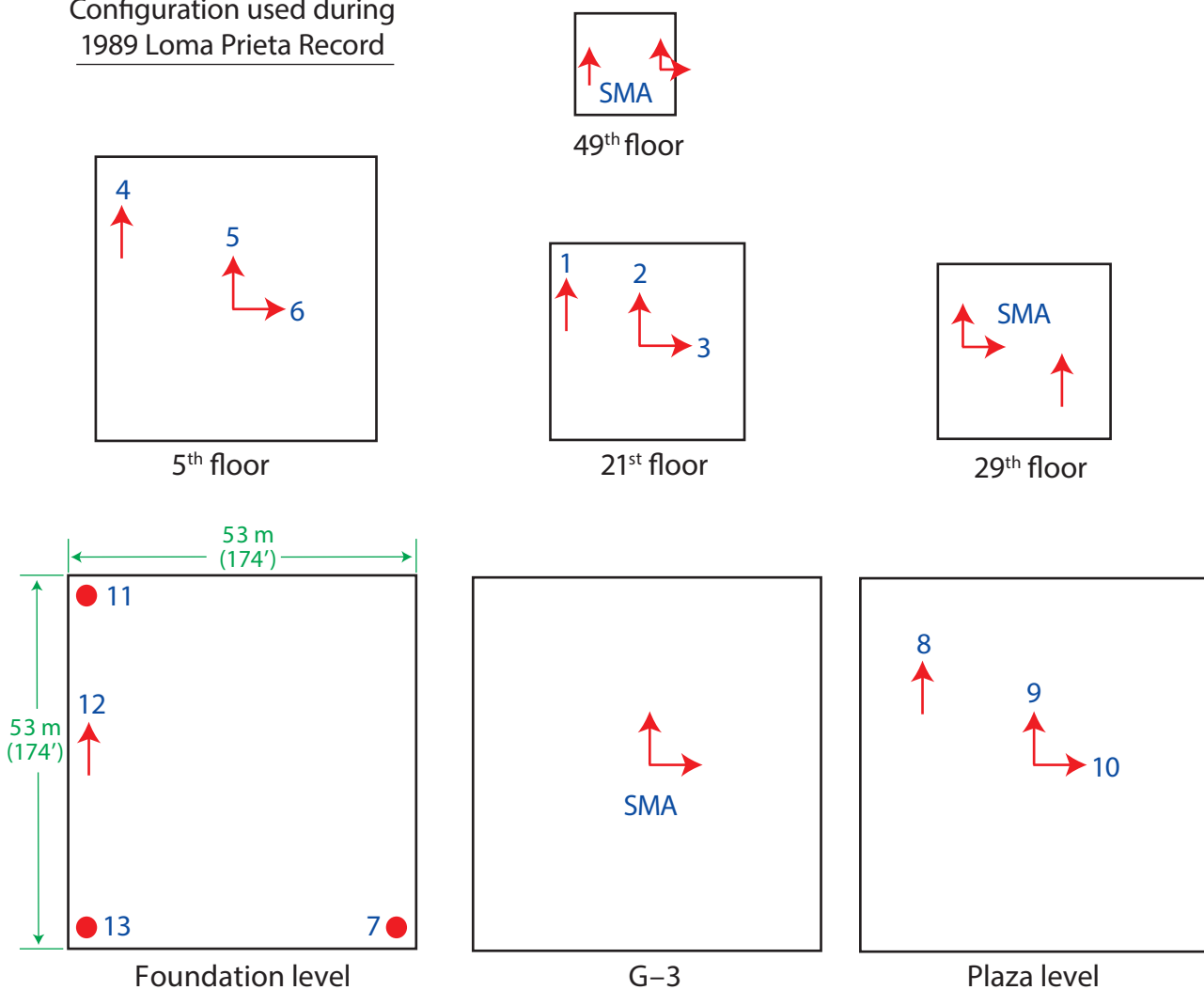
CA: San Francisco, Transamerica Pyramid–60 Story Office Building

NSMP Station No: 1239 (Original ~1984–85)

Floor/Level



Configuration used during
1989 Loma Prieta Record



Structure reference
orientation: 350°

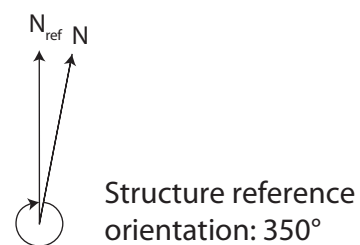
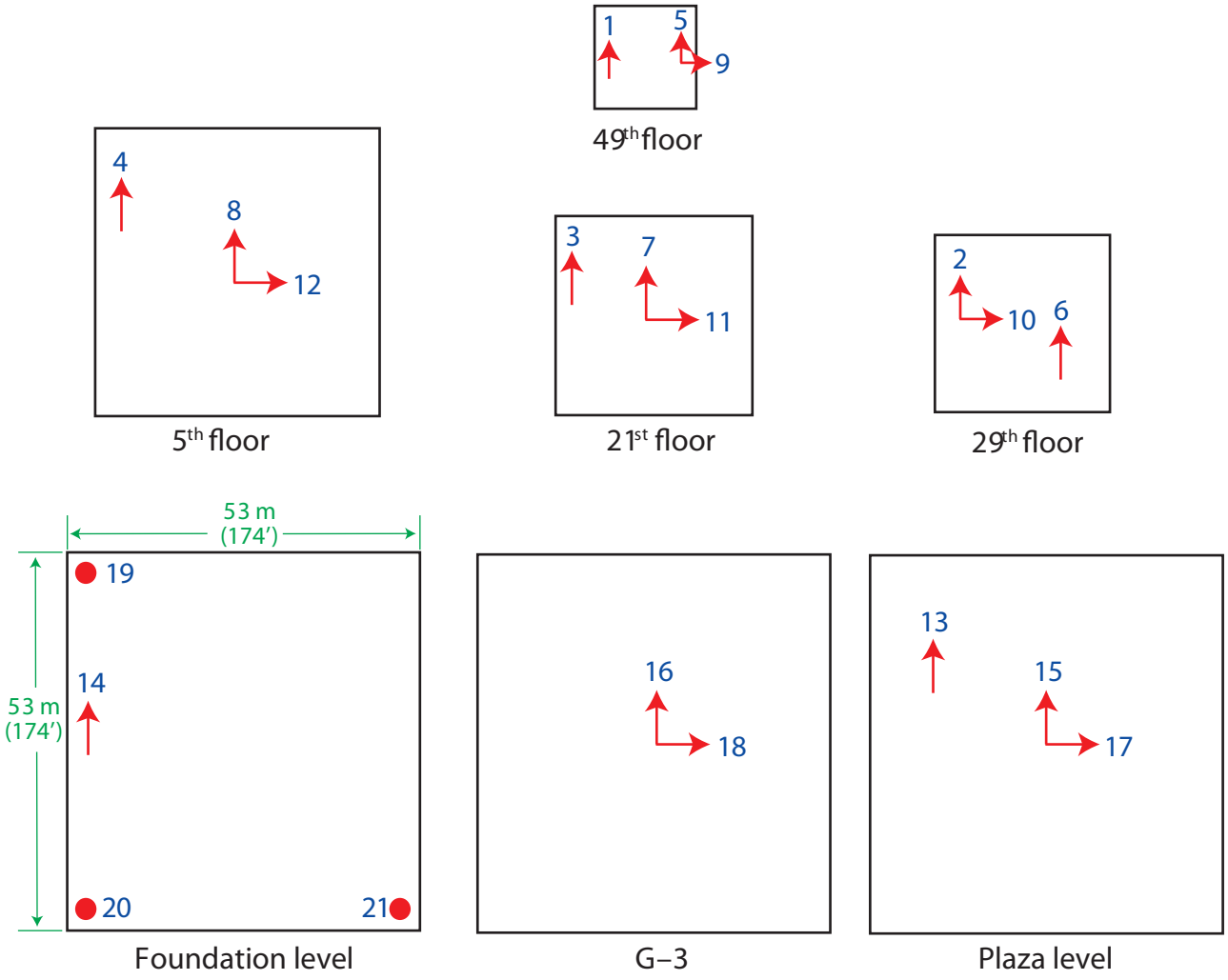
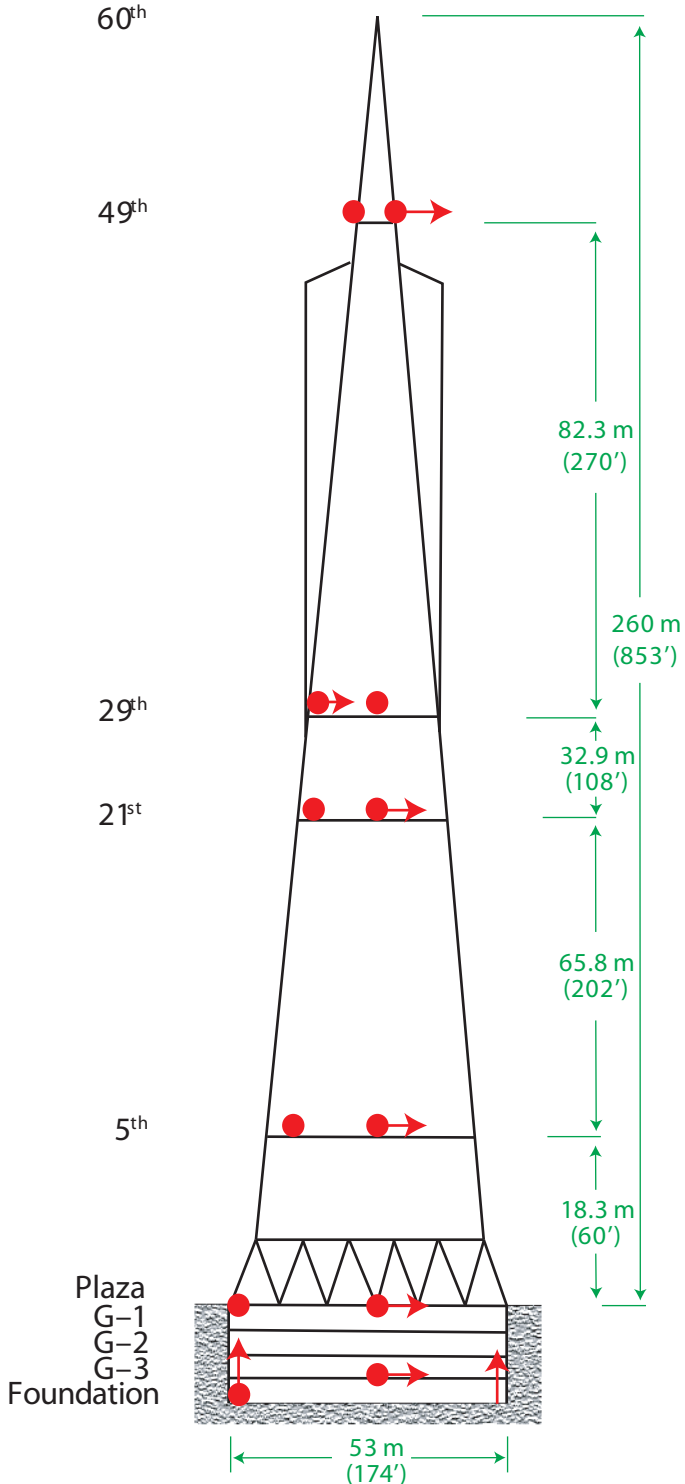
Revised on 7/22/2019
by corydhurd/mcelebi



CA: San Francisco, Transamerica Pyramid–60 Story Office Building

NSMP Station No: 1239 (2000–2015)

Floor/Level



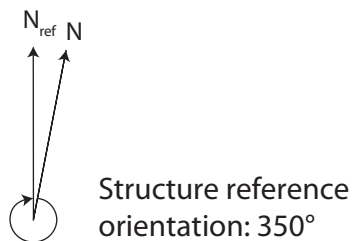
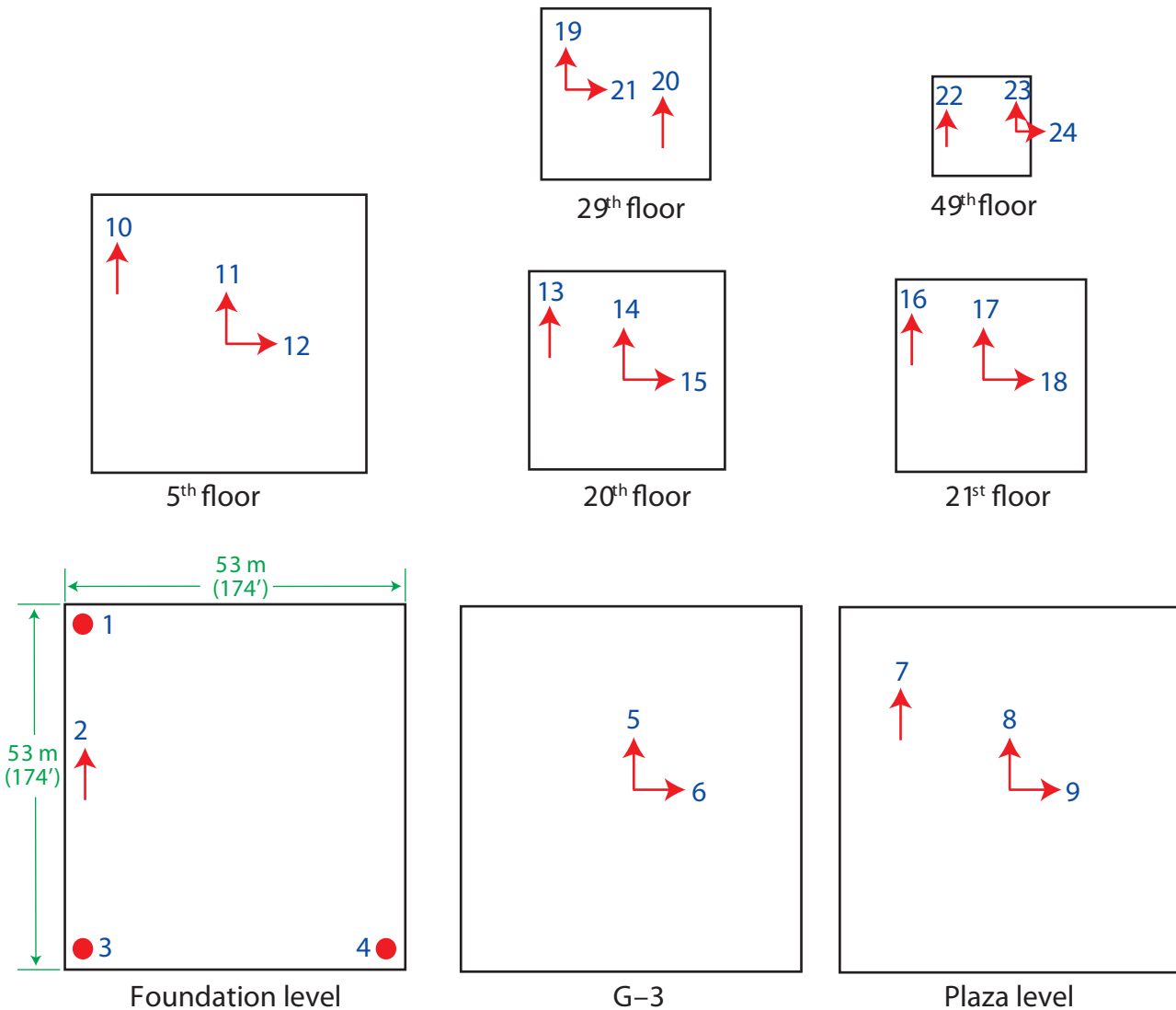
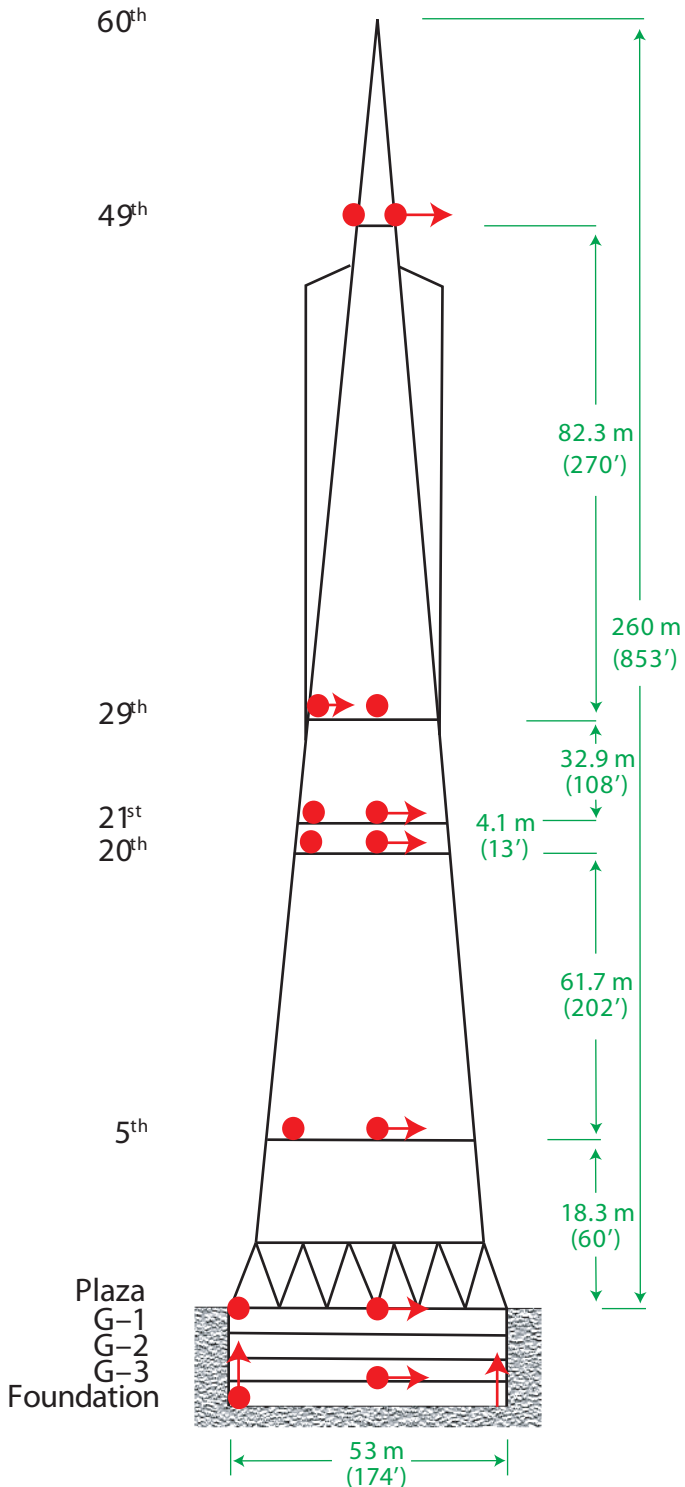
Revised on 7/22/2019
by corydurd/mcelebi



CA: San Francisco, Transamerica Pyramid–60 Story Office Building

NSMP Station No: 1239 (since 2015)

Floor/Level



Revised on 7/22/2019
by corydhurd/mcelebi

